

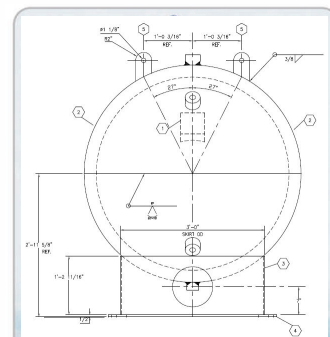
ALLIED

EQUIPMENT, INC.

COMPRESSED NATURAL GAS STORAGE SPHERE



- 48" Inside Diameter
- 5,000 to 10,000 psi Design Pressure
- Fabricated to ASME Code Section VIII, Division 1 or 2
- 33.5 Cubic Ft. Water Volume
- 250 Gallon Capacity
- 1" Relief Valve with Isolation and Bleed Block Included
- 1/2" Drain Valve Included
- Outer Dimensions 63" H x 56" W
- Weight 8,735 lbs.
- White Epoxy Paint
- Stackable Options Available



48" ID SPHERE

Storage Pressure	Cubic Ft. Per Sphere	Gasoline Gallons Per Sphere	*Diesel Gallons Per Sphere
5,000#	12,314	103	91
4,500#	11,650	97	86
4,000#	11,045	92	82
3,600#	10,564	88	78

* 135 cu. ft. of natural gas is equal to one (1) gallon of diesel fuel.